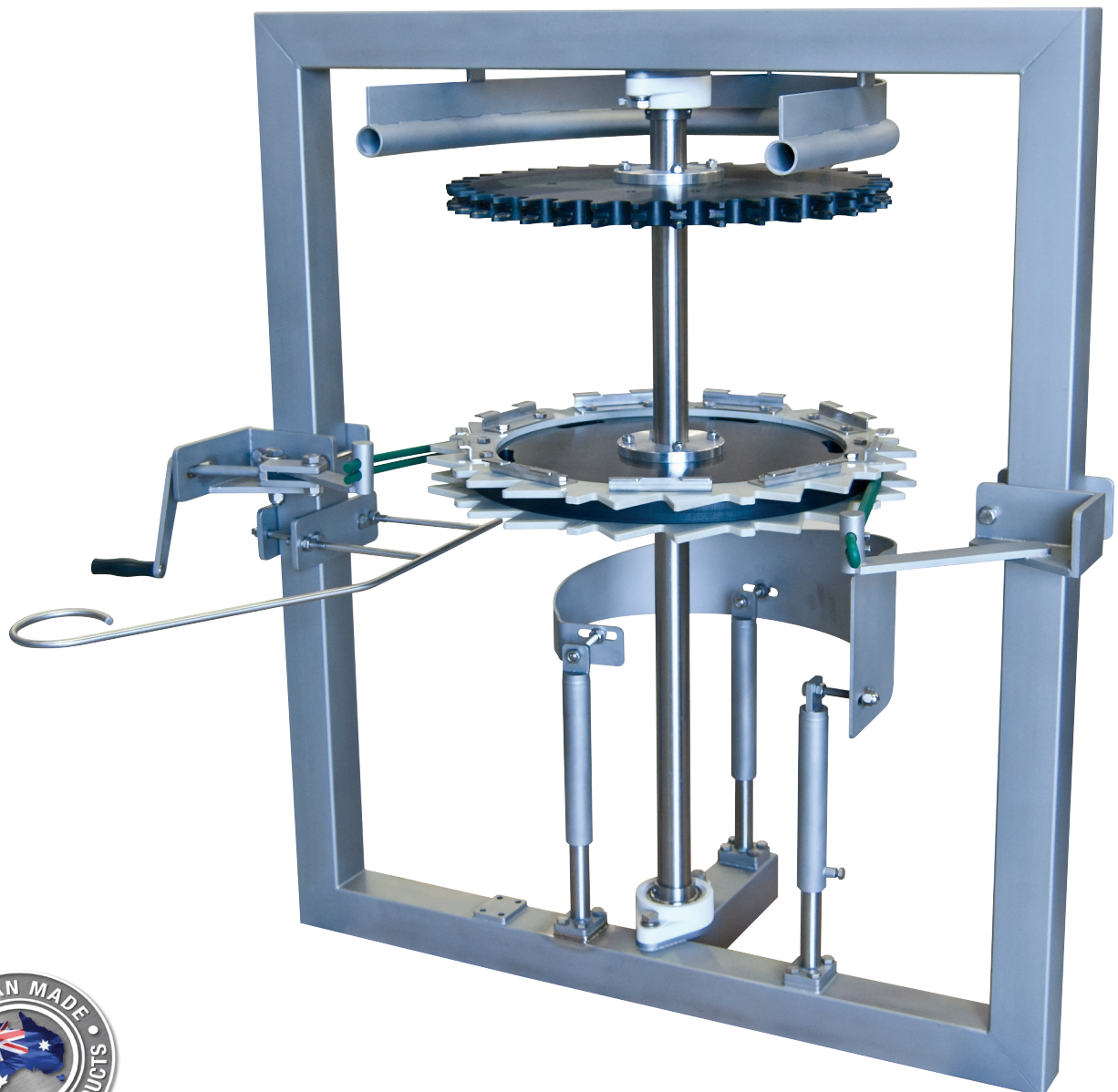




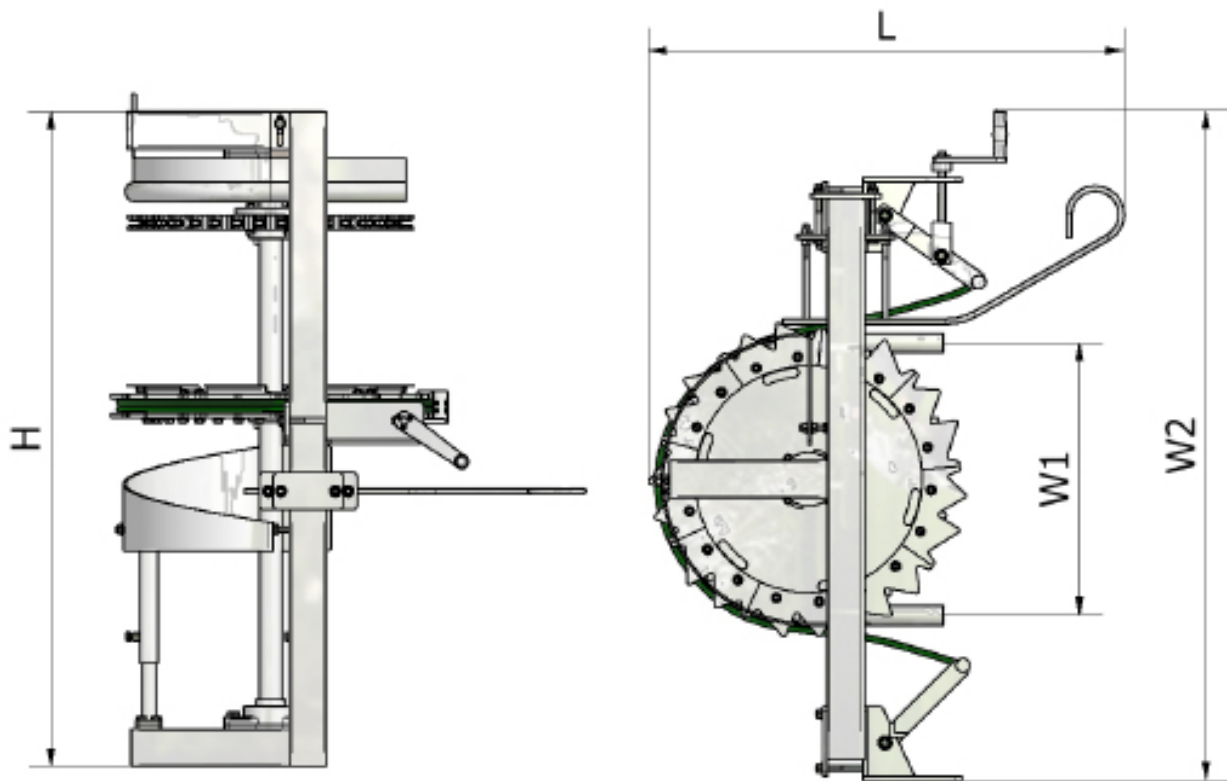
BIRD UNLOADER

BFE Services Bird Unloader is simple and effective

- Supplied for both Pipe and T track
- It is installed at the end of the Evisceration line
- Easy belt tensioning system
- Shackles are located in a special design unit (custom made to suit any shackle)
- Stainless steel construction incorporating food approved plastics
- Diameter to suit any line speed and pitch



Technical Specifications



Model		9x8"	10x6"	12x8"	16x6"
Capacity	BPH	3000	5000	6000	8000
Number of Units	each	9	10	12	16
Shackle Pitch	inch	8"	6"	8"	6"
Length (L)	mm	1020	1020	1220	1220
Track Width (W1)	mm	582	582	776	776
Width (W2)	mm	1430	1430	1625	1625
Height (H)	mm	1400	1400	1400	1400
Machine Weight	kg	60	75	75	90

All specifications are subject to future modifications

BFE SERVICES PTY. LTD.
POULTRY PROCESSING EQUIPMENT

6 Dunheved Circuit St Marys NSW 2760 Sydney, Australia

Phone: + 61 2 9623 6900
Email: sales@bfeservices.com.au

Fax: + 61 2 9623 8400
www.bfeservices.com.au