



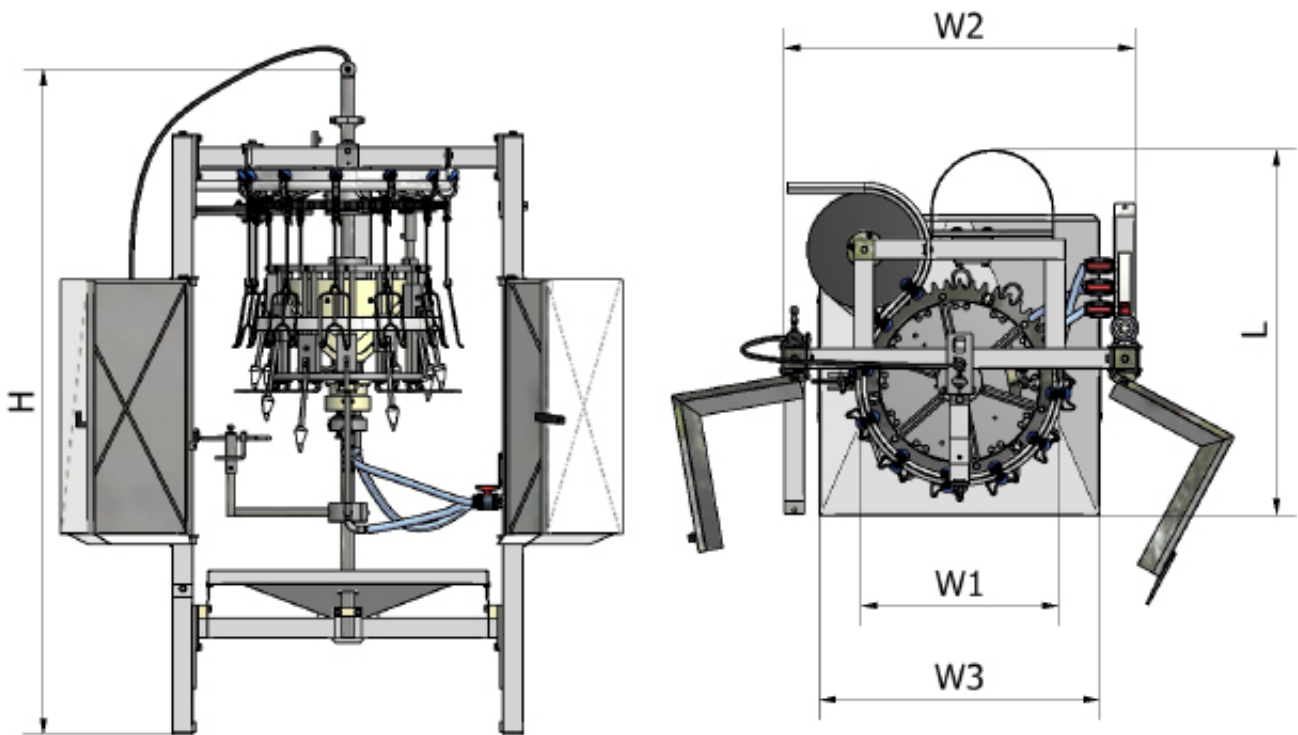
BIRD WASHER

BFE Services Bird Washer provides an effective, automatic means for producing a quality end product

- Manufactured in different sizes, 8, 10, 12 and 16 units are available to suit both Pipe track and T track
- The machine is driven from the overhead conveyer
- It will operate lines with or without feet
- The bird is automatically positioned into the machine with a specially designed nozzle head that enters the bird through the body cavity and thoroughly washes the inside of the bird, while water drains through the open neck
- The outside of the bird is washed simultaneously, removing anything which may be left behind following evisceration
- The Bird Washer is made of stainless steel incorporating food approved plastics
- Each machine comes with a stainless steel hydraulic hand pump and cylinder for effortless height adjustment



Technical Specifications



Model		8 x 8"	12 x 8"	18 x 8"	10 x 6"	16 x 6"	24 x 6"
Capacity	BPH	3000	5000	6000	4000	6000	8000
Number of Units	each	8	12	18	10	16	24
Shackle Pitch	inch	8"	8"	8"	6"	6"	6"
Length (L)	mm	1440	1640	2030	1440	1640	2030
Track Width (W1)	mm	512	776	1164	485	776	1160
Width (W2)	mm	1180	1680	1880	1180	1680	1880
Width (W3)	mm	980	1400	1680	980	1400	1680
Height (H)	mm	2750	2750	2750	2750	2750	2750
Water Connections	BSP	1 1/4"	1 1/4"	1 1/4"	1 1/4"	1 1/4"	1 1/4"
Water Consumption	L / H	1000	1500	2000	1300	2000	2500
Drain Connection	NB	100	100	100	100	100	100

All specifications are subject to future modifications

BFE SERVICES PTY. LTD.
POULTRY PROCESSING EQUIPMENT

6 Dunheved Circuit St Marys NSW 2760 Sydney, Australia

Phone: + 61 2 9623 6900
Email: sales@bfeservices.com.au

Fax: + 61 2 9623 8400
www.bfeservices.com.au