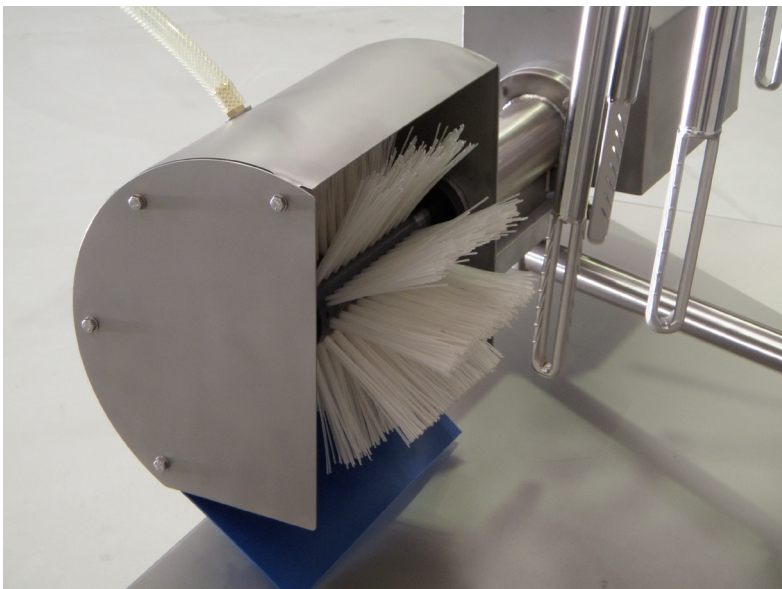




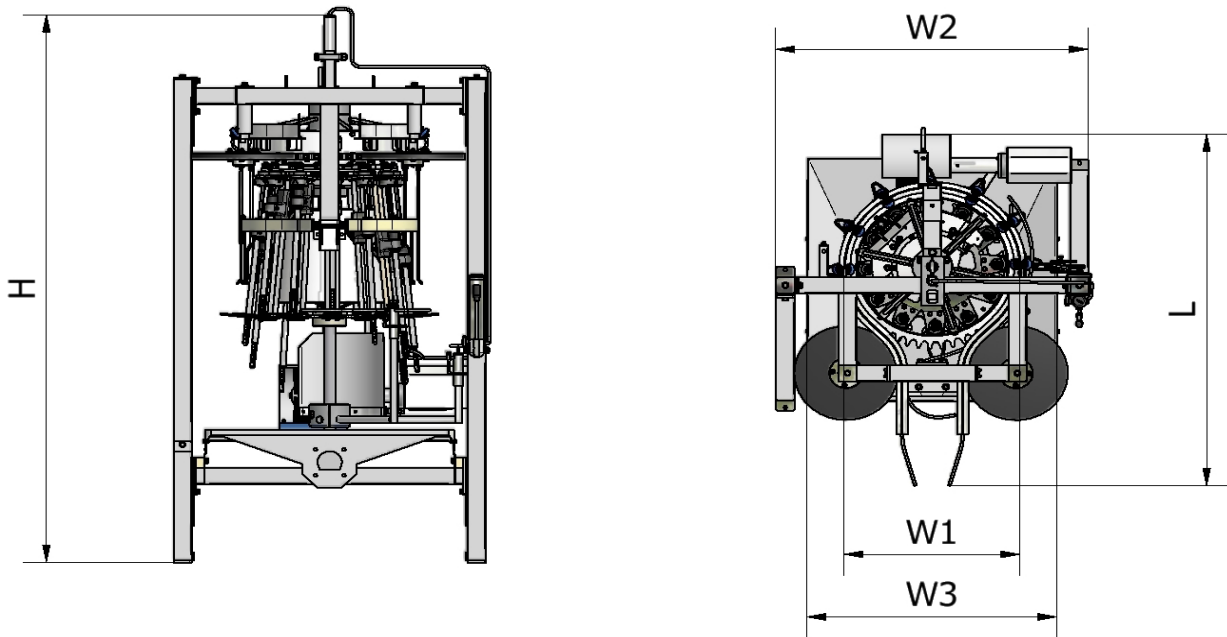
CROPPER

BFE Services Cropper automatically removes the crop and windpipe

- Manufactured in different sizes, 12, 16, 18 and 24 units are available to suit both Pipe and T track
- The drive is received from the overhead conveyor
- It will operate in lines with or without feet
- The bird is automatically positioned on the machine with a specially designed probe entering the bird through the body cavity which removes anything left in the neck cavity, including the crop and windpipe with minimal yield loss
- The probe is thoroughly cleaned prior to its retraction from the bird
- Spray nozzles clean each bird before the next cycle
- The Cropper is made of stainless steel incorporating food approved plastics
- Each machine comes with a stainless steel hydraulic hand pump and cylinder for effortless height adjustment



Technical Specifications



Model		12x8"	18x8"	16x6"	24x6"
Capacity	BPH	3000	6000	4000	8000
Number of Units	each	12	18	16	24
Shackle Pitch	inch	8"	8"	6"	6"
Length (L)	mm	1710	2010	1710	2010
Width (W1)	mm	776	1164	776	1164
Width (W2)	mm	1380	1880	1380	1880
Width (W3)	mm	1100	1400	1100	1400
Height (H)	mm	2750	2750	2750	2750
Water Connections	BSP	1/2"	1/2"	1/2"	1/2"
Water Consumption	m ³ /h	300	300	300	300
Drain Connection	NB	100	100	100	100
Power 3 Phase	kw	0.75	0.75	0.75	0.75

All specifications are subject to future modifications

BFE SERVICES PTY. LTD.
POULTRY PROCESSING EQUIPMENT

6 Dunheved Circuit St Marys NSW 2760 Sydney, Australia

Phone: + 61 2 9623 6900
Email: sales@bfeservices.com.au

Fax: + 61 2 9623 8400
www.bfeservices.com.au