



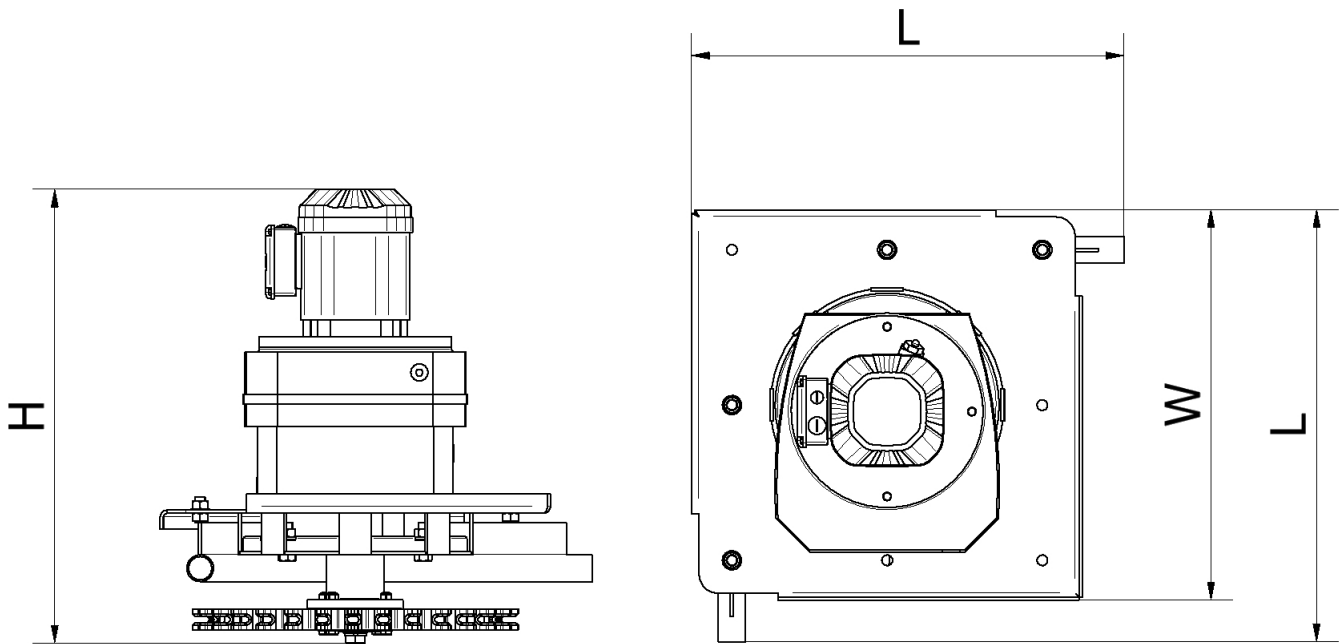
## DRIVE UNIT

BFE Services manufactures Drive Units to suit your needs

- Supplied in either Pipe or T track
- Units are made to suit either 90 degree or 180 degree and for diameters of 250 up to 485
- Made from stainless steel and incorporating food approved plastics
- Each unit can be made to suit any line speed from 100 BPH up to 12,500 BPH
- All Drive Units are produced in house



# Technical Specifications



\* Drive units are calculated to suit the line speed and the amount of torque required

Model		290 x 90	290 x 180	390 x 90	390 x 180	485x90	485x180
Number of teeth	each	18	18	24	24	30	30
Length (L)	mm	480	480	580	580	675	675
Width (W)	mm	415	415	515	515	610	610
Height (H)	mm	710	710	710	710	710	710
Machine Weight	kg	150	150	175	175	185	185
Power 3 Phase	volts	415	415	415	415	415	415

All specifications are subject to future modifications

BFE SERVICES PTY. LTD.  
POULTRY PROCESSING EQUIPMENT

6 Dunheved Circuit St Marys NSW 2760 Sydney, Australia

Phone: + 61 2 9623 6900  
Email: [sales@bfeservices.com.au](mailto:sales@bfeservices.com.au)

Fax: + 61 2 9623 8400  
[www.bfeservices.com.au](http://www.bfeservices.com.au)