



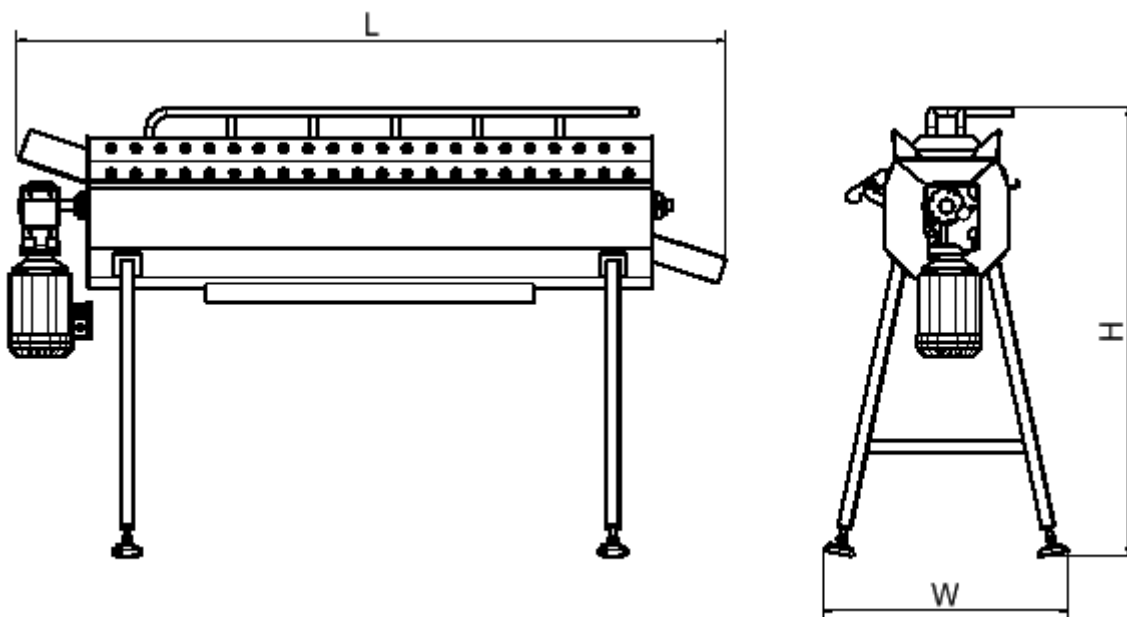
## FOOT SKINNER

BFE Services Foot Skinners are made in varying models.

- Designed to work after the foot scalder
- Feet are delivered directly into the skinner via a chute from the Foot Scalder
- A special designed sieve allows the skin and toe nails to fall through to the collection trays below
- Water is connected on to the lid to help wash the skin and nails through the sieve to avoid build up
- Feet are discharged via a chute, normally directly into a chiller or via a conveyor to the chiller
- Stainless steel construction incorporating food approved plastics



# Technical Specifications



Model		0.8 x 3m
Capacity	kg	1200
Hock Weight	gr	50 - 90
Birds per hour	Bph	8000
Shackle Pitch	inch	6" & 8"
Length (L)	mm	2154
Width (W)	mm	741
Height (H)	mm	1366
Water Connections	BSP	1 1/4"
Heat Exchanger Connection	BSP	1 1/4"
Drain Connection	BSP	2"
Power 3 Phase	kw	0.55
Power Blower 3 Phase	kw	1.5

All specifications are subject to future modifications

BFE SERVICES PTY. LTD.  
POULTRY PROCESSING EQUIPMENT

6 Dunheved Circuit St Marys NSW 2760 Sydney, Australia

Phone: + 61 2 9623 6900  
Email: [sales@bfeservices.com.au](mailto:sales@bfeservices.com.au)

Fax: + 61 2 9623 8400  
[www.bfeservices.com.au](http://www.bfeservices.com.au)