



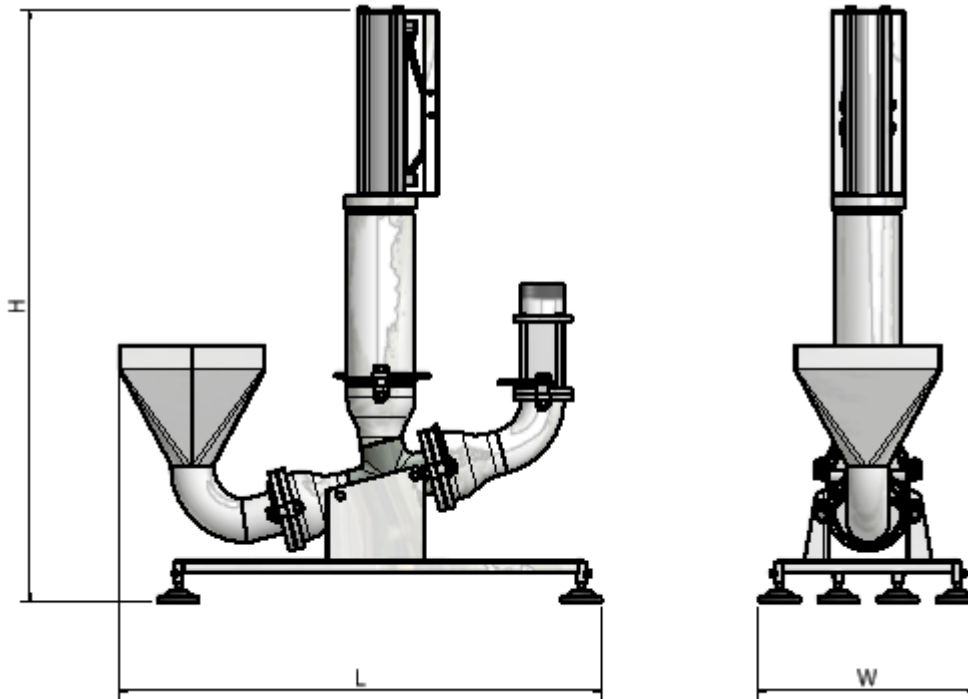
GIBLET PUMP

BFE Services Giblet Pump is designed for the transportation of livers, hearts, necks, and gizzards.

- They come in 3 sizes of 2” ,3” and 4” pipe diameter
- The larger unit can also be used to transport intestines
- The unit combines water to help transport and cool the product
- Each unit is pneumatically controlled
- Stainless steel construction and is easily dismatled for cleaning



Technical Specifications



2" pump used for liver and hearts
 3" pump used for livers, hearts and giblets
 4" pump used for livers, hearts, giblets and necks

Model		2"	3"	4"
Capacity	BPH	6000	8000	8000
Length (L)	mm	950	950	950
Width (W)	mm	400	400	400
Height (H)	mm	1100	1200	1300
Machine Weight	kg	90	120	140
Air Consumption	m ³ /h	3.6	3.6	3.6
Air Pressure	bar	5	7	8

All specifications are subject to future modifications

BFE SERVICES PTY. LTD.
 POULTRY PROCESSING EQUIPMENT

6 Dunheved Circuit St Marys NSW 2760 Sydney, Australia

Phone: + 61 2 9623 6900
 Email: sales@bfeservices.com.au

Fax: + 61 2 9623 8400
www.bfeservices.com.au