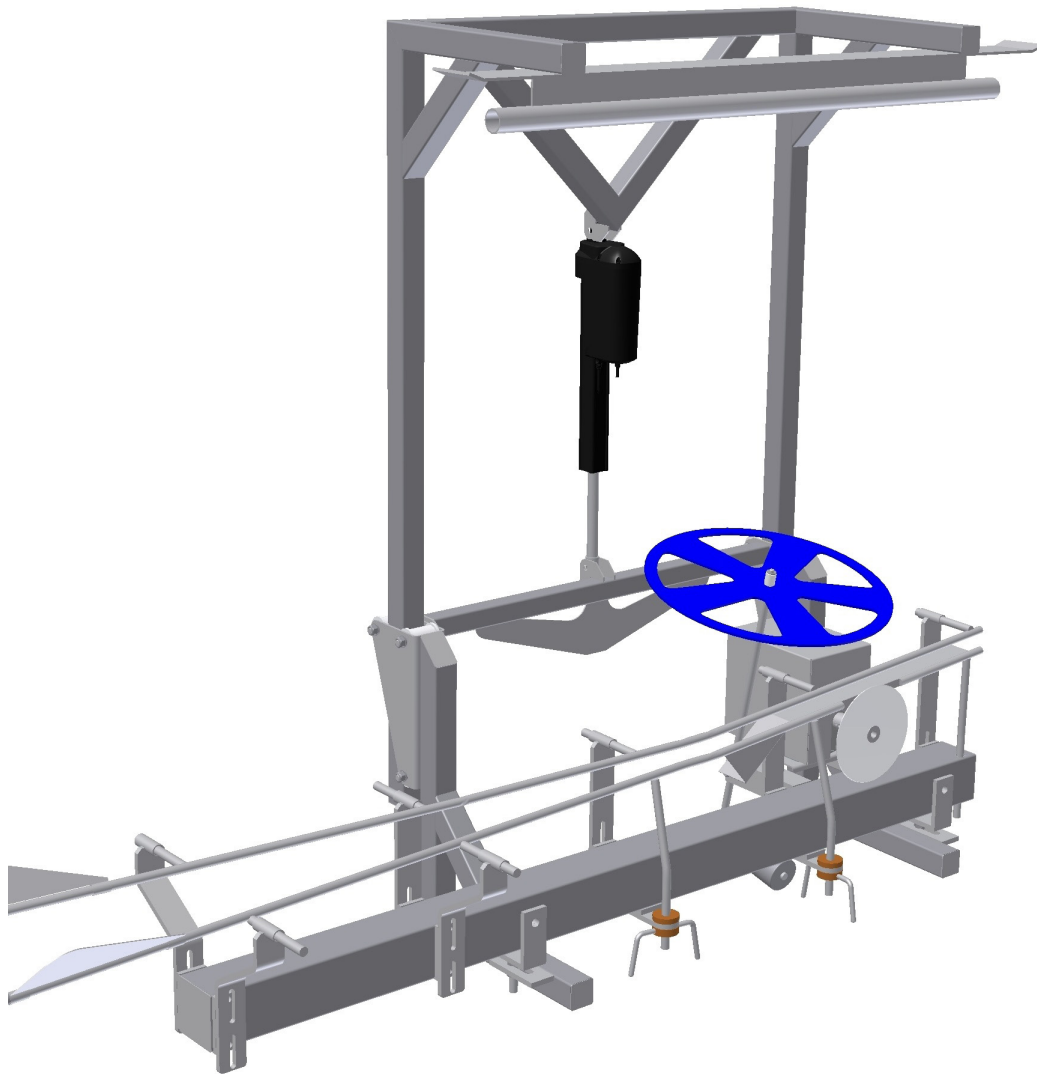




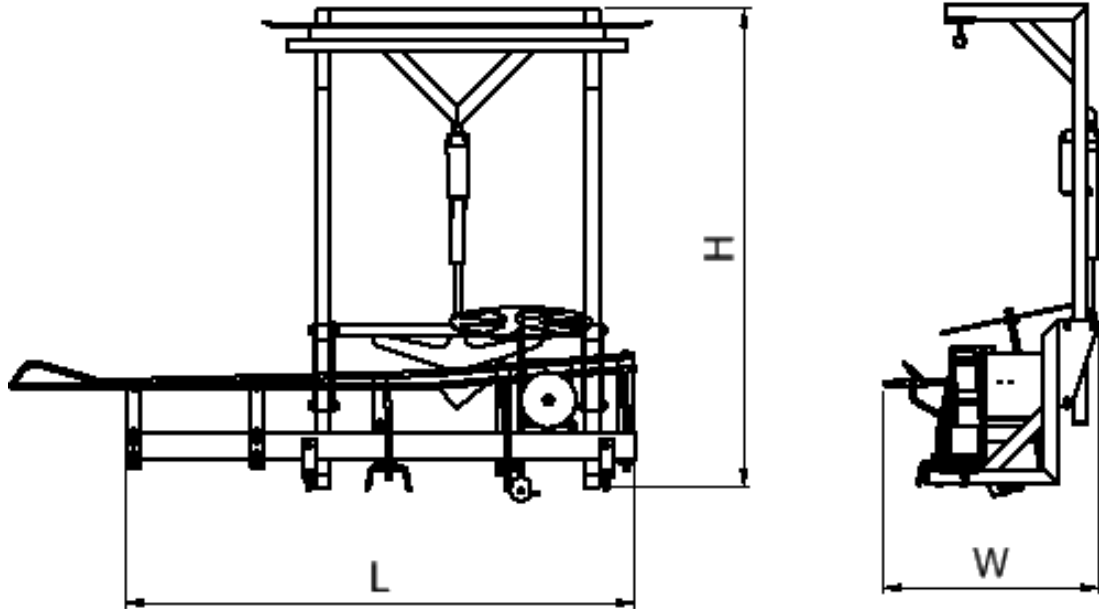
KILLING MACHINE

BFE Services Killing Machine offers a fully automatic kill, providing the adjustments are made correctly

- The cut is made close to the head and on the side of the neck
- Depth of cut is fully adjustable
- Killing machines are available with a choice of single or double blade units
- Machines can be manufactured with either electric or manual height adjustment
- Constructed out of stainless steel and food approved plastics



Technical Specifications



Model		KM01	KM02	KM03
Capacity	BPH	6000	12000	12000
Length (L)	mm	950	1150	1150
Width (W)	mm	400	400	400
Height (H)	mm	1100	1200	1300
Machine Weight	kg	90	120	140
Power 3 phase	kw	0.75	2 x 0.75	0.75

All specifications are subject to future modifications

BFE SERVICES PTY. LTD.
POULTRY PROCESSING EQUIPMENT

6 Dunheved Circuit St Marys NSW 2760 Sydney, Australia

Phone: + 61 2 9623 6900
Email: sales@bfeservices.com.au

Fax: + 61 2 9623 8400
www.bfeservices.com.au