



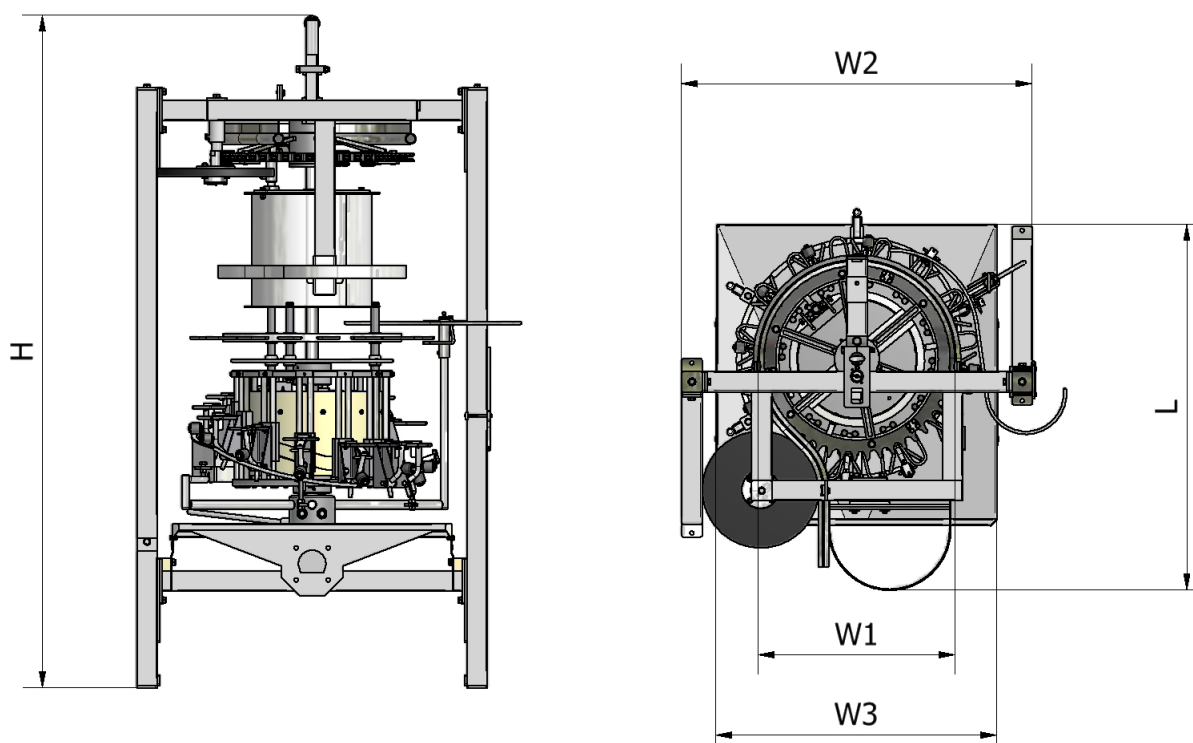
NECK BREAKER

BFE Services Neck Breakers are manufactured in different sizes

- 8, 10, 12 and 16 units are available to suit both Pipe and T track
- The drive is received from the overhead conveyor
- It will operate both lines with or without feet
- The bird is automatically positioned on the machine with the unit breaking the neck and removing the skin
- It can also be fitted with an option to cut the neck skin leaving it with the neck
- The necks drop into the collection tray underneath and can be transported with a neck pump to anywhere in the factory
- With our Neck Skinning machine it will remove the neck skin with no damage to the neck
- Spray nozzles clean each unit before moving to the next cycle
- The Neck Breaker is made of stainless steel incorporating food approved plastics
- Each machine comes with a stainless steel hydraulic hand pump and cylinder for effortless height adjustment



Technical Specifications



Model		8 x 8"	12 x 8"	18 x 8"	10 x 6"	16 x 6"	24 x 6"
Capacity	BPH	3000	5000	6000	4000	6000	8000
Number of Units	each	8	12	18	10	16	24
Shackle Pitch	inch	8"	8"	8"	6"	6"	6"
Length (L)	mm	1670	1950	2340	1670	1950	2340
Width (W1)	mm	512	776	1164	485	776	1164
Width (W2)	mm	1180	1680	1880	1180	1680	1880
Height (H)	mm	2750	2750	2750	2750	2750	2750
Water Connections	BSP	1/2"	1/2"	1/2"	1/2"	1/2"	1/2"
Water Consumption	m3/h	200	200	200	200	200	200
Drain Connection	NB	100	100	100	100	100	100

All specifications are subject to future modifications

BFE SERVICES PTY. LTD.
POULTRY PROCESSING EQUIPMENT

6 Dunheved Circuit St Marys NSW 2760 Sydney, Australia

Phone: + 61 2 9623 6900
Email: sales@bfeservices.com.au

Fax: + 61 2 9623 8400
www.bfeservices.com.au