



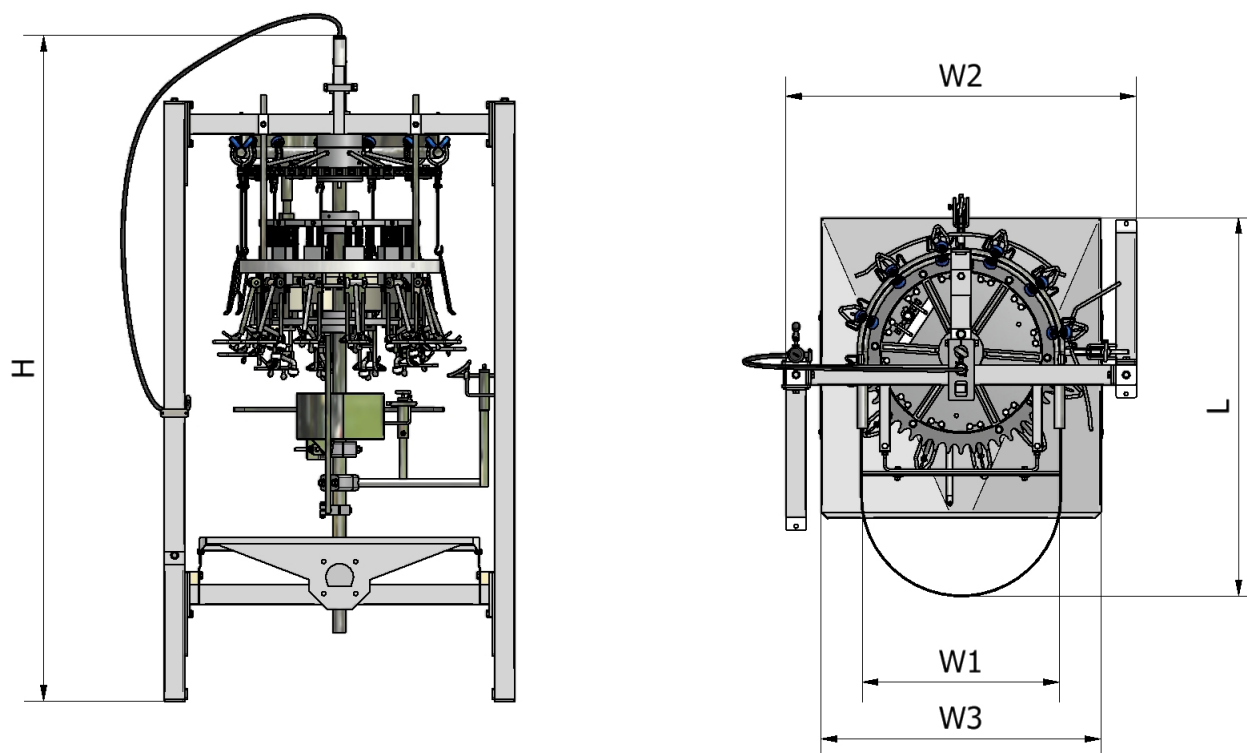
OPENER

The Opener is manufactured in different sizes. 8, 10, 12 and 16 units are available to suit either Pipe or T track

- The drive is received from the overhead conveyor
- It will operate both lines, with or without feet
- The bird is automatically positioned on the machine where a razor edged blade enters the opening provided by the Vent Cutter
- The skin is cut from the vent to the keel
- The length of the cut is adjustable by the stainless steel cam
- Spray nozzles clean each unit before the bird moves onto the next machine
- Manufactured using stainless steel incorporating food approved plastics
- Each machine comes with a stainless steel hydraulic hand pump and cylinder for effortless height adjustment



Technical Specifications



Model		8 x 8"	12 x 8"	18 x 8"	10 x 6"	16 x 6"	24 x 6"
Capacity	BPH	2300	3000	6000	3000	4000	8000
Number of Units	each	8	12	18	10	16	24
Shackle Pitch	inch	8"	8"	8"	6"	6"	6"
Length (L)	mm	1670	1950	2340	1670	1950	2340
Width (W1)	mm	512	776	1164	485	776	1164
Width (W2)	mm	1180	1680	1880	1180	1680	1880
Width (W3)	mm	980	1400	1680	980	1400	1680
Height (H)	mm	2750	2750	2750	2750	2750	2750
Water Connections	BSP	1/2"	1/2"	1/2"	1/2"	1/2"	1/2"
Water Consumption	L / H	200	200	200	200	200	200
Drain Connection	NB	100	100	100	100	100	100

All specifications are subject to future modifications

BFE SERVICES PTY. LTD.
POULTRY PROCESSING EQUIPMENT

6 Dunheved Circuit St Marys NSW 2760 Sydney, Australia

Phone: + 61 2 9623 6900
Email: sales@bfeservices.com.au

Fax: + 61 2 9623 8400
www.bfeservices.com.au