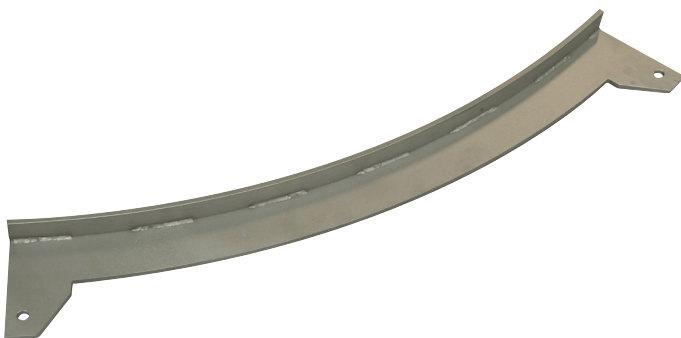
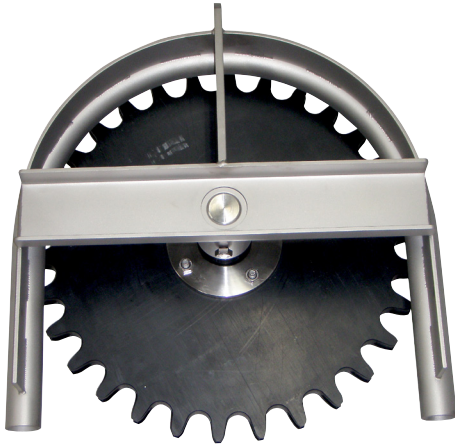




OVERHEAD CONVEYOR

BFE Services conveyor systems ensure your plant processes smoothly

- Available in both Pipe and T Track profiles
- Manufactured from quality stainless steel
- 90° and 180° corner wheels available
- Risers and falls allow you to maximise space utilisation



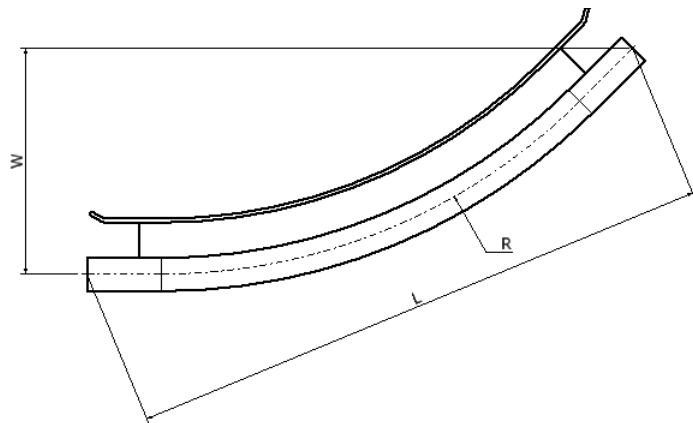
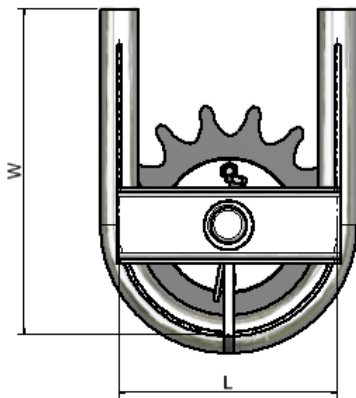
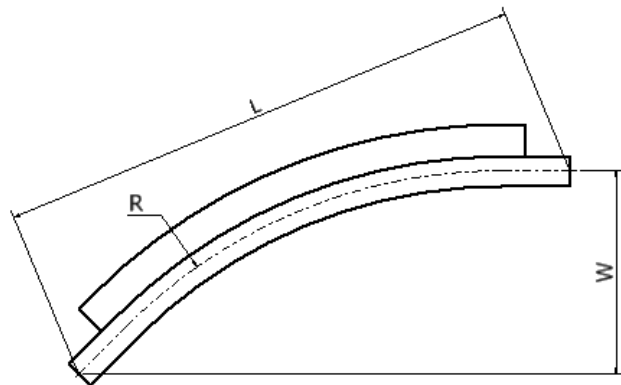
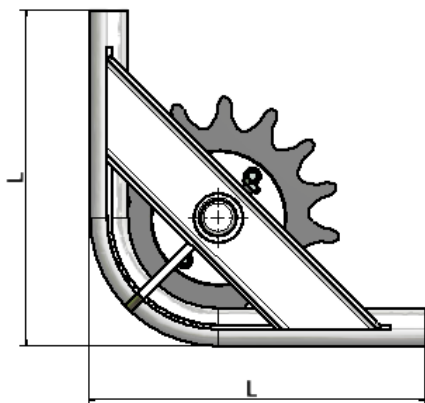
BFE SERVICES PTY. LTD.
POULTRY PROCESSING EQUIPMENT

6 Dunheved Circuit St Marys NSW 2760 Sydney, Australia

Phone: + 61 2 9623 6900
Email: sales@bfeservices.com.au

Fax: + 61 2 9623 8400
www.bfeservices.com.au

OVERHEAD CONVEYOR



Model	P/ T	250	290	390	485	20	30	45
Teeth No:	each	15	18	24	30			
Degree	mm	90 / 180	90 / 180	90 / 180	90 / 180	20	30	45
Radius (R)	mm	125	145	195	242.5	750	750	750
Diameter	mm	250	290	390	485			
Length (L)	mm	370 / 360	435 / 385	540 / 480	630 / 480	810	910	705
Width (W)	mm	250	290	390	485	215	325	360

All specifications are subject to future modifications

BFE SERVICES PTY. LTD.
POULTRY PROCESSING EQUIPMENT

6 Dunheved Circuit St Marys NSW 2760 Sydney, Australia

Phone: + 61 2 9623 6900
Email: sales@bfeservices.com.au

Fax: + 61 2 9623 8400
www.bfeservices.com.au