



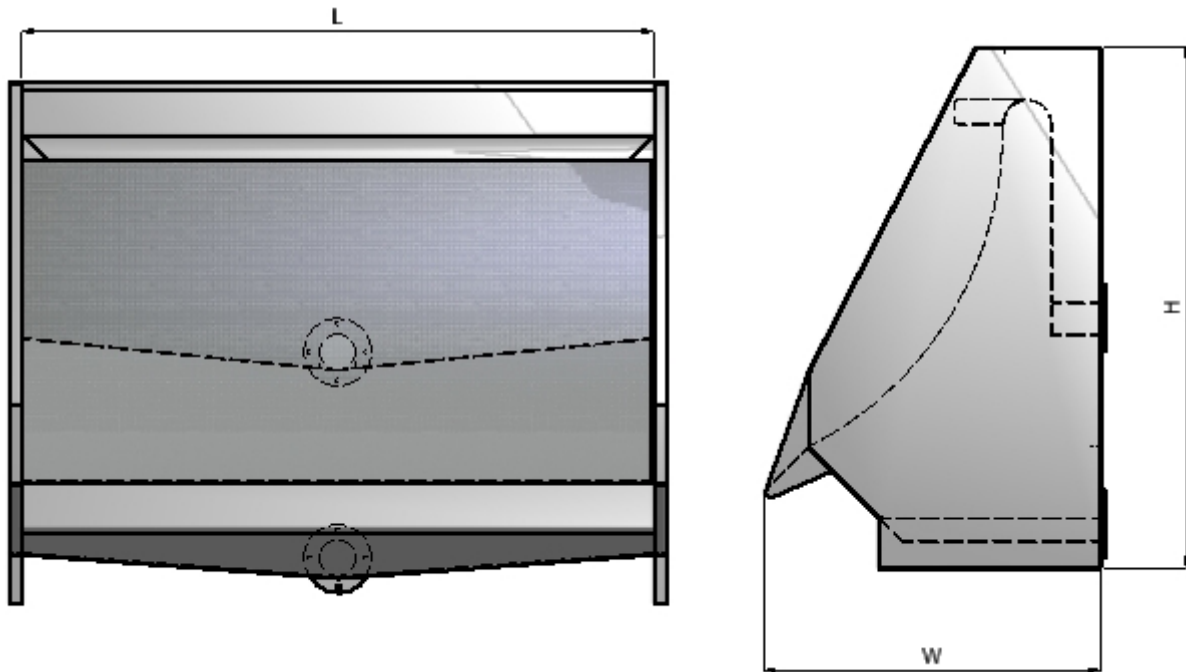
SEPARATING SCREEN

BFE Services separating screen can be designed in different sizes and is used to separate feathers, offal and grit from water

- Best positioned high up to allow for the feathers or offal to easily cascade into the collection bins or semi-trailers
- Water from the screen can be gravity-fed back into the pluckers or used for wash down
- Each screen is entirely constructed of stainless steel



FEATHER SCREEN



Model		1000	1500	2000
Capacity	m ³ /h	65-110	100-170	140-230
Length (L)	mm	1100	1600	2100
Width (W1)	mm	1300	1300	1300
Height (H)	mm	1800	1800	1800
Weight Machine	kg	350	425	500
Water input	flange	4"	4"	4"
Water discharge	flange	4"	4"	4"

All specifications are subject to future modifications

BFE SERVICES PTY. LTD.
POULTRY PROCESSING EQUIPMENT

6 Dunheved Circuit St Marys NSW 2760 Sydney, Australia

Phone: + 61 2 9623 6900
Email: sales@bfeservices.com.au

Fax: + 61 2 9623 8400
www.bfeservices.com.au