

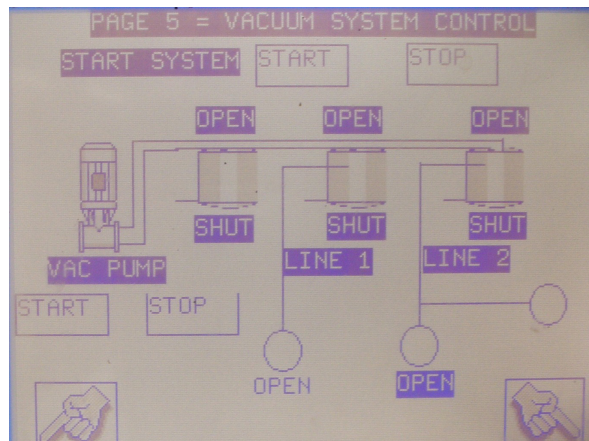
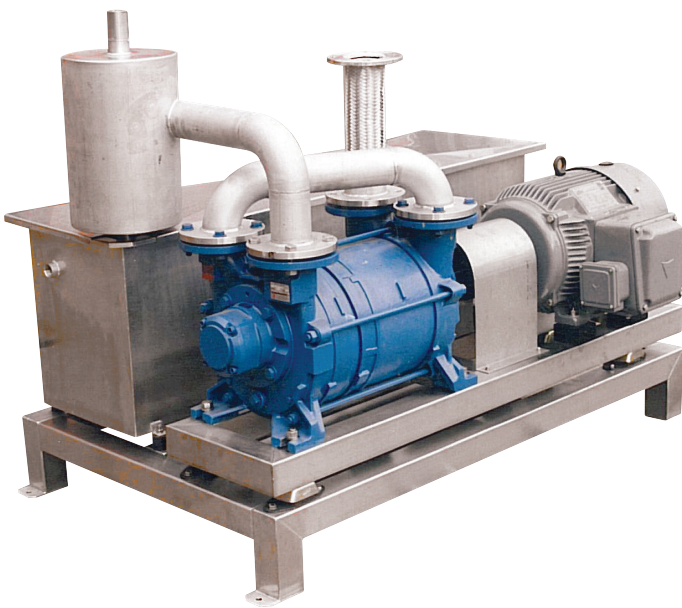


VACUUM PUMP

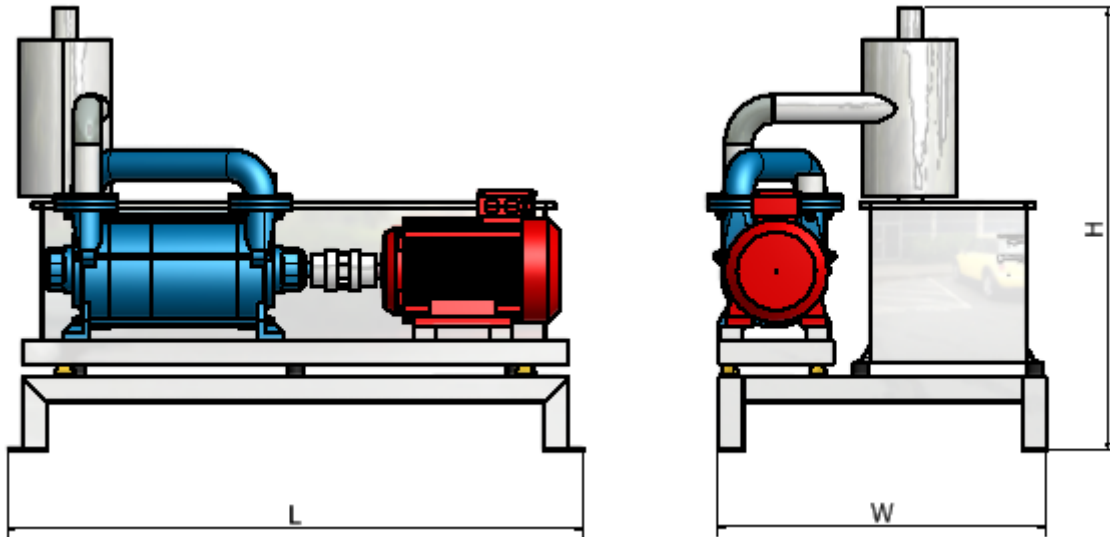
BFE Services Automatic Vacuum System transports heads, intestines, crop and blood to the offal room

- Controlled by PLC, which is password protected, allowing the production officer to control times and dump cycles

- Full stainless steel construction, all driven by pneumatic power, which is connected to 24 volt AC or DC
- The system can also control the FIM (lunger) machine (tank shown)
- The collection hoppers are made to your individual requirements
- The tanks and hoppers are connected with PVC pressure pipe or by stainless steel tubing



Technical Specifications



Model		VS01	VS02
Vacuum Cap	m ³ /h	550	650
Length (L)	mm	1840	1840
Width (W)	mm	1050	1050
Height (H)	mm	1400	1400
Water Connection	Bsp	1"	1"
Drain	Bsp	2"	2"
Machine Weight	kg	425	465
Power 3 Phase	Kw	18.5	22

All specifications are subject to future modifications

BFE SERVICES PTY. LTD.
POULTRY PROCESSING EQUIPMENT

6 Dunheved Circuit St Marys NSW 2760 Sydney, Australia

Phone: + 61 2 9623 6900
Email: sales@bfeservices.com.au

Fax: + 61 2 9623 8400
www.bfeservices.com.au